

PRODUCT CODE: TTH300
TRAY HANGER



DESCRIPTION

300mm Tray Hanger

FINISH

Pre-Galvanised

MATERIAL

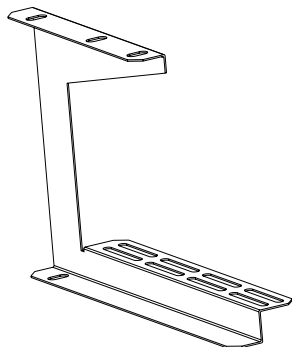
Pre-Galvanised Steel

PACKAGING

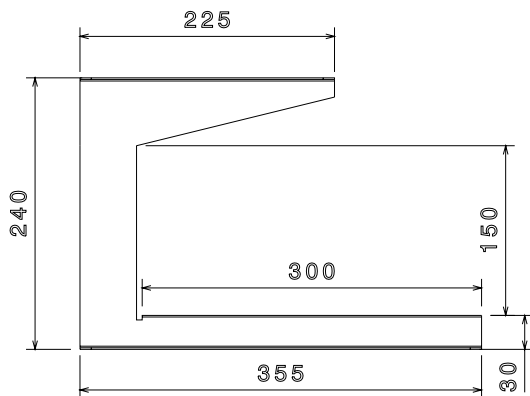
Packed in qty 20

ADDITIONAL NOTES

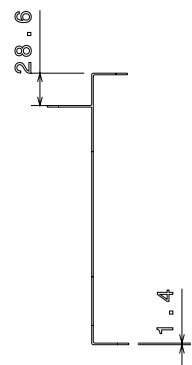
Multiple or single balanced fixing points
Compliant to LU Standard 1-085 (for use on surface & sub-surface locations)



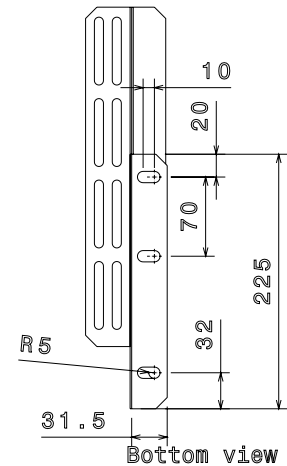
Isometric view



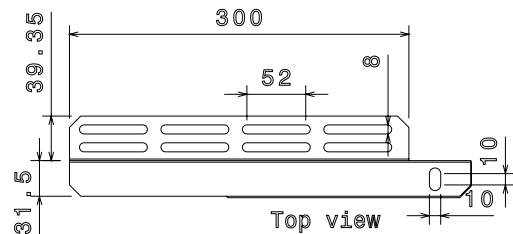
Front view



Side view



Bottom view



Top view